

**PLEASE CHECK WWW.MOLEX.COM FOR LATEST PART INFORMATION**

**Part Number:** [0885234502](#)  
**Status:** **Active**  
**Overview:** [fiber optic product families](#)  
**Description:** SC/APC-to-SC/APC, Singlemode, 9/125µm/G652, Simplex, 3.00mm (.118"), Standard Fiber Optic Cable Assembly, 3.0m (9.84' )

**Documents:**

[Drawing \(PDF\)](#) [RoHS Certificate of Compliance \(PDF\)](#)

**General**

|                        |  |
|------------------------|--|
| Product Family         | Fiber Optic Assemblies                       |
| Series                 | <a href="#">88523</a>                        |
| Connector to Connector | SC/APC-to-SC/APC                             |
| Mode                   | Singlemode                                   |
| Overview               | <a href="#">fiber optic product families</a> |
| Product Name           | SC   |

**Physical**

|                       |                |
|-----------------------|----------------|
| Cable Length          | 3.0m (9.84' )  |
| Cable Size            | 3.00mm (.118") |
| Fiber (Core/Cladding) | 9/125µm/G652   |
| Single Ended          | No             |
| Wire/Cable Type       | Simplex        |

**Material Info**

**Reference - Drawing Numbers**

|               |              |
|---------------|--------------|
| Sales Drawing | SD-88523-058 |
|---------------|--------------|

**EU RoHS**

**ELV and RoHS  
Compliant**

**REACH SVHC**

**Not Reviewed**

**Halogen-Free**

**Status**

**Not Reviewed**

**China RoHS**



**Need more information on product  
environmental compliance?**

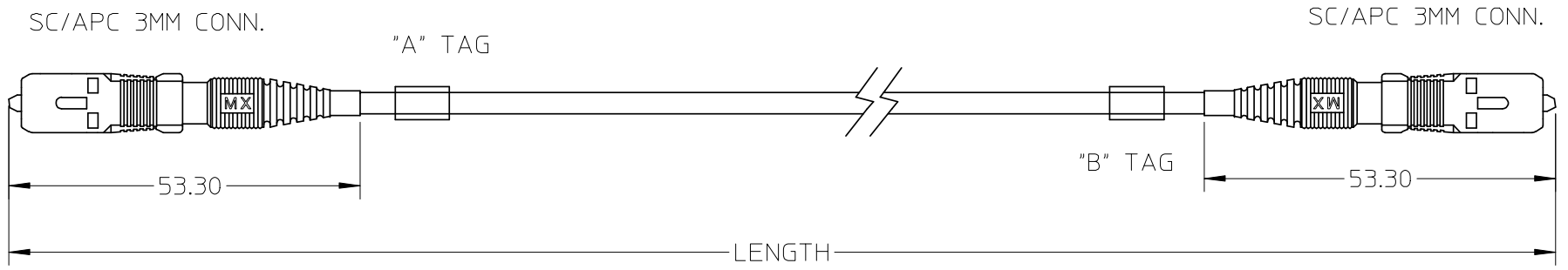
Email [productcompliance@molex.com](mailto:productcompliance@molex.com)  
For a multiple part number RoHS Certificate of  
Compliance, [click here](#)

Please visit the [Contact Us](#) section for any  
non-product compliance questions.

**Search Parts in this Series**

[88523Series](#)

E



D

C

B

A

NOTES:  
 1. DUST CAPS ARE NOT SHOWN  
 2. PER CHANNEL @ 1310nm  
 IL<=0.4dB, RL>60dB

|   |            |             |
|---|------------|-------------|
| ENTER DESCRIPTION<br>EC NO: DG2008-0155<br>DRWN:XPCHEN<br>CHKD:<br>APPR: JOWANG | 2008/06/13 | DESCRIPTION |
|   | 2008/06/13 |             |
|   | 2008/06/16 |             |
|   | REV        |             |

|                 |
|-----------------|
| QUALITY SYMBOLS |
| ▽=0             |
| ▽=0             |

|  |                 |             |
|--|-----------------|-------------|
| GENERAL TOLERANCES (UNLESS SPECIFIED)                | DIMENSION STYLE |             |
|  | MM ONLY         |             |
|  | mm              | INCH        |
|  | 4 PLACES        | ± --- ± --- |
|  | 3 PLACES        | ± --- ± --- |
|  | 2 PLACES        | ± --- ± --- |
|  | 1 PLACE         | ± --- ± --- |
|  | ANGULAR ± --- ° |             |
| DRAFT WHERE APPLICABLE MUST REMAIN WITHIN DIMENSIONS |                 |             |

|           |                               |                |
|-----------|-------------------------------|----------------|
| 885234598 | SC/APC-SC/APC SIM SM 3MM 1.5M | 1500(+150/-0)  |
| 885234514 | SC/APC-SC/APC SIM SM 3MM 15M  | 15000(+200/-0) |
| 885234511 | SC/APC-SC/APC SIM SM 3MM 12M  | 12000(+200/-0) |
| 885234509 | SC/APC-SC/APC SIM SM 3MM 10M  | 10000(+200/-0) |
| 885234507 | SC/APC-SC/APC SIM SM 3MM 8M   | 8000(+200/-0)  |
| 885234506 | SC/APC-SC/APC SIM SM 3MM 7M   | 7000(+200/-0)  |
| 885234504 | SC/APC-SC/APC SIM SM 3MM 5M   | 5000(+200/-0)  |
| 885234503 | SC/APC-SC/APC SIM SM 3MM 6M   | 6000(+200/-0)  |
| 885234502 | SC/APC-SC/APC SIM SM 3MM 3M   | 3000(+200/-0)  |
| 885234501 | SC/APC-SC/APC SIM SM 3MM 2M   | 2000(+200/-0)  |
| 885234500 | SC/APC-SC/APC SIM SM 3MM 1M   | 1000(+100/-0)  |
| MX P/N    | DESCRIPTION                   | LENGTH         |

|              |            |
|--------------|------------|
| DRAWN BY     | DATE       |
| XP           | 2008/06/11 |
| CHECKED BY   | DATE       |
| LISA         | 2008/06/11 |
| APPROVED BY  | DATE       |
| JOHNNY       | 2008/06/11 |
| MATERIAL NO. |            |
| SEE TABLE    |            |

|   |              |                        |
|---|--------------|------------------------|
| SCALE   | DESIGN UNITS | THIRD ANGLE PROJECTION |
| ---   | METRIC       |                        |
| TITLE   |              |                        |
| SC/APC-SC/APC SIM SM 3MM  |              |                        |
| MOLEX INCORPORATED  |              |                        |
| DOCUMENT NO.  | SHEET NO.    |                        |
| SD-88523-058  | 1 OF 1       |                        |
| THIS DRAWING CONTAINS INFORMATION THAT IS PROPRIETARY TO MOLEX INCORPORATED AND SHOULD NOT BE USED WITHOUT WRITTEN PERMISSION |              |                        |